

Chess Plus

New-Generation safe, user-friendly and cost-effective C&I ESS; multi-stage safety protection from cell to Pack to system to O&M; modular design for all-scenario adaptability, intelligent O&M; highly integrated solutions for improved performance to achieve higher returns with lower costs



SYSTEM FEATURE



Safe & Long Lifecycle

High-safety, long-life cells for energy storage applications, cycle life > 10,000 cycles; comprehensive destructive testing and validation for industry-leading safety and reliability



Intelligent & Stable Operation and Maintenance

Black start capability, off-grid/microgrid supported; remote monitoring and early warning on AI-empowered cloud platform, no need for on-site expert maintenance, site O&M work reduced by 43%



Simple Aesthetic & High Integration

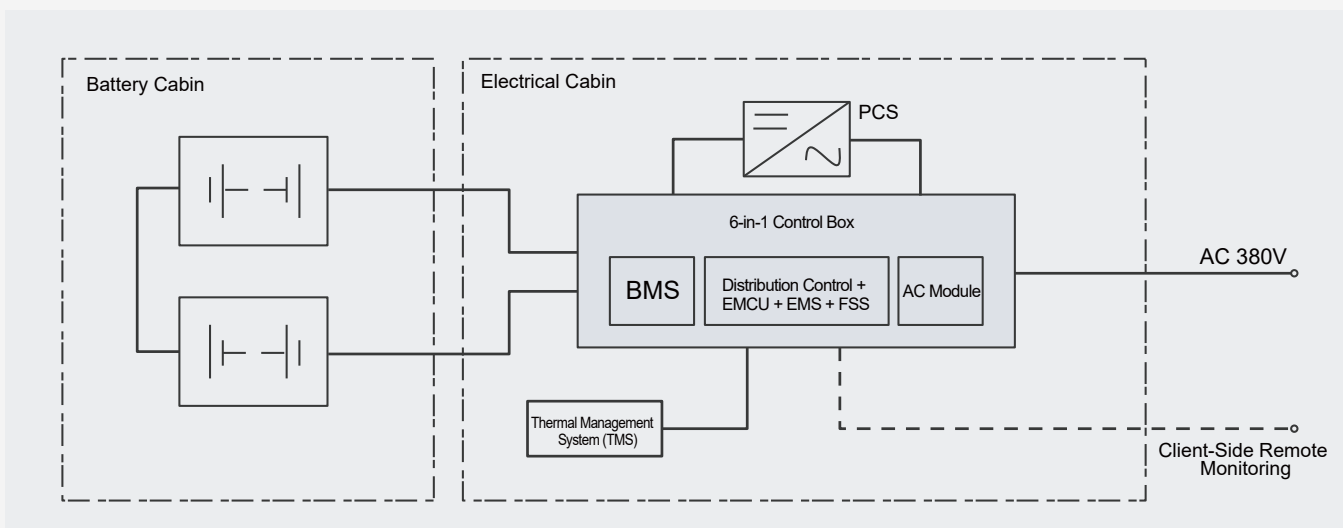
Designed for all-scenario C&I energy storage applications, all-in-one system, modular installation with a wide power range from 125kW to 1MW; BMS, Distribution Management Cabinet, EMS, fire panel and AC module highly integrated to reduce the system components by 55.6%



Ultimate Cost-Effectiveness

Cell temperature difference within 2.5°C with intelligent liquid cooling, lifecycle increased by 30%, energy consumption reduced by 20%; factory-prefabricated, whole-unit transportation to reduce costs for transportation, installation and commissioning work on site

CIRCUIT DIAGRAM





SYSTEM PARAMETERS

System Type	IC07-B233AP125-A-R2
DC Side Parameters	
Cell Chemistry System	LFP
System Configuration	1P228S
Battery Capacity (BOL)	233kWh
Rated Voltage	729.6V DC
Battery Voltage Range	604.2~832.2V DC
Rated Charge and Discharge Power	125kW
C-rate	0.5C
AC Side Parameters	
Nominal Grid Voltage	380V
Rated Grid Frequency	50Hz
Max. THDU @Rated Power	< 3%
Power Factor	>0.99(1 leading~1 lagging)
General Parameters	
Dimensions (W×D×H mm)	1258×1680×2240mm
Weight	3500kg
System Efficiency	RTE≥90%
Cooling Concept	BESS: Liquid Cooling PCS: Forced Air Cooling
Fire Suppression System	PACK-level Fire Suppression + Aerosol
IP Rating	Battery Pack (IP65)/Complete System (IP55)
Anti-corrosion Grade	C4
Operating Temperature Range	-20°C~+55°C
Relative Humidity	5%~95% (Non-condensing)
Seismic Resistance	Level 8
Fire Retardant Requirements	Fire Resistance Rating ≥1 hour
Auxiliary Power Interface	AC 380V ±5%/50Hz; 3-phase 4-wire
Auxiliary System Peak Power Requirement @45°C, PF0.8	~5kVA
Noise	≤75dBA
Communication Protocols	Modbus TCP/IP
Wiring Method	Bottom In and Bottom Out
Compliance	GB/T 36276-2023, GB/T 34131-2023, GB/T 34120, GB/T 34133, UN38.3

Note:

[1] Power derating is performed when the ambient temperature is below -15°C or above +45°C.