



# MC Cube-T BESS

MC10C-B5010-E/U-R2 & MC12C-B6012-E/U-R2  
MC10C-B5365-E/U-R4 & MC12C-B6437-E/U-R4

The new-generation MC Cube-T BESS practices the concept of MC Cube, inheriting from "Five Easy" strength, which enables flexible combination of any cube, to achieve any system capacity.



## SYSTEM FEATURE



### Ultra-high Density

Compact design, larger capacity, smaller footprint.



### Independent Cluster Design

1500V system voltage, reliable liquid-cooling at cluster level.



### Ultra-high Flexibility

Flexible combination of any cube, to achieve any system capacity; can match mainstream string/central PCS.



### Highly Integrated

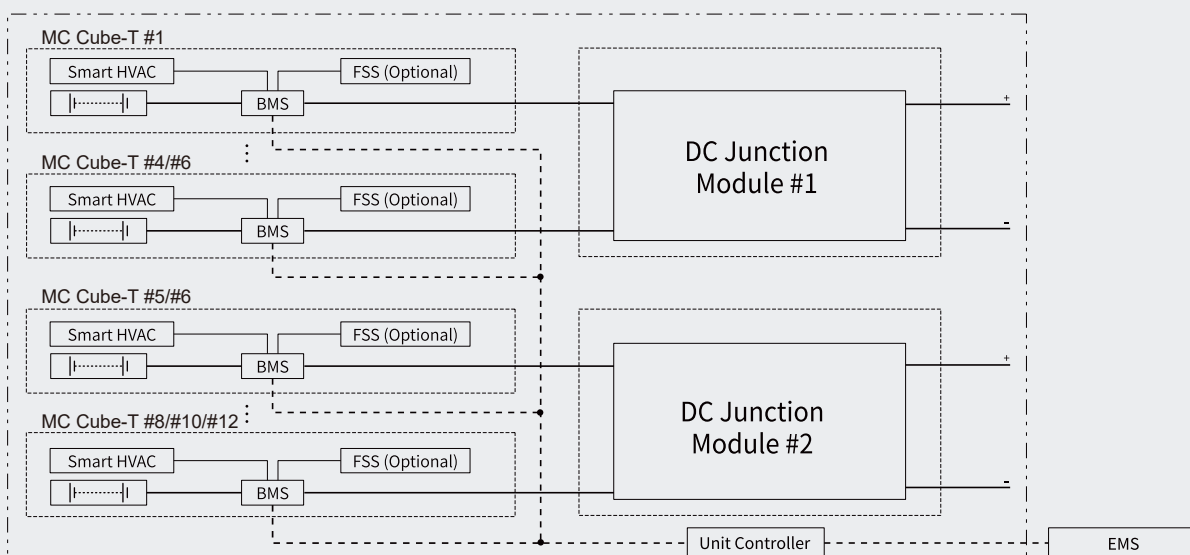
Professional integration of local controller, HVAC and FSS.



### Safe & Long lifetime

Ultimate protection, intelligent temperature control, temperature difference < 3°C, with new-gen safe and long-life LFP battery for energy storage.

## CIRCUIT DIAGRAM





## SYSTEM PARAMETERS

System Type	MC10C-B5010-E/U-R2	MC12C-B6012-E/U-R2	MC10C-B5365-E/U-R4	MC12C-B6437-E/U-R4
<b>DC Data</b>				
Cell type	LFP	LFP	LFP	LFP
System configuration	2×5×1P416S	2×6×1P416S	2×5×1P416S	2×6×1P416S
DC usable energy @FAT	5010kWh	6012kWh	5360kWh	6431kWh
DC usable energy @1 month SAT	4950kWh	5940kWh	5306kWh	6366kWh
DC usable energy @3 months SAT	4900kWh	5880kWh	5252kWh	6302kWh
Nominal voltage	1331.2V DC	1331.2V DC	1331.2V DC	1331.2V DC
Battery voltage range	1081.6 ~ 1489.3V DC	1081.6 ~ 1489.3V DC	1081.6 ~ 1497.6V DC	1081.6 ~ 1497.6V DC
Nominal power	2×1253kW	2×1503kW	2×670kW	2×804kW
<b>General Data</b>				
Dimensions (WxDxH)	6058×2438×2896mm <sup>[1]</sup>	7550×2438×2896mm <sup>[1]</sup>	6058×2438×2896mm <sup>[1]</sup>	7550×2438×2896mm <sup>[1]</sup>
Weight	43550kg	52720kg	43750kg	53010kg
IP rating	IP55	IP55	IP55	IP55
Ambient operating temperature range	-30°C~+55°C <sup>[2]</sup>	-30°C~+55°C <sup>[2]</sup>	-30°C~+55°C <sup>[2]</sup>	-30°C~+55°C <sup>[2]</sup>
Relative humidity	5%~100%	5%~100%	5%~100%	5%~100%
Max. working altitude	<2000m <sup>[3]</sup>	<2000m <sup>[3]</sup>	<2000m <sup>[3]</sup>	<2000m <sup>[3]</sup>
Cooling concept	Liquid cooling	Liquid cooling	Liquid cooling	Liquid cooling
Noise@1m	≤75dBA	≤75dBA	≤75dBA	≤75dBA
Fire suppression system	With fire detection and alarm system			
Auxiliary power interface	AC 400V/50Hz, 3P4W; AC 480V/60Hz, 3P4W			
Auxiliary system peak power requirement@45°C, PF0.9	70kVA	83kVA	50kVA	58kVA
Communication protocols	Modbus TCP/IP	Modbus TCP/IP	Modbus TCP/IP	Modbus TCP/IP
Standard color	RAL 9003	RAL 9003	RAL 9003	RAL 9003
Compliance	IEC 62619, UL 9540, UL 9540A, UL 1973, UN 38.3, UN 3536, CE Marking			

## Note:

[1] The size does not include the size of the DMC HVAC. The HVAC of DMC needs to be installed on site, and the size after installing the HVAC is shown in the installation drawing.

[2] Power derating is performed when the ambient temperature is below -15°C or above +45°C.

[3] Power derating is performed when the altitude is between 2000-3000m.

[4] The energy storage system support flexible combination and capacity.